

Reissued: 10-Mar-03**RTB Correction**

The items in bold italics have been added.

Model: PRIPORT PINKGOLD/PGB4	Date: 30-Oct-02	No: R-C238-004a
Subject: New model PG B4 information (China only)	Prepared by: H. Onodera, Priport Service Planning Section	
Classification: <input type="checkbox"/> Troubleshooting <input type="checkbox"/> Part information <input type="checkbox"/> Action required <input type="checkbox"/> Mechanical <input type="checkbox"/> Electrical <input type="checkbox"/> Service manual revision <input type="checkbox"/> Paper path <input type="checkbox"/> Transmit/receive <input type="checkbox"/> Retrofit information <input checked="" type="checkbox"/> Other (New machine information)		
Model Name: PINKGOLD: Ricoh JP3000/JP3800, Gestetner 5430/5428C, RexRotary 1330, nashuatec CP430, Savin 3260DNP, Standard SD370, Lanier LDD030 PG B4 (China only): Ricoh JP2800, Gestetner 5425C		

This bulletin details the service-related points unique to the PG B4 (C247). Please insert this information into your Service Manuals.

Note: Please also see MB #MC238002 for a list of the components unique to the PG B4.

General notes:

- The major difference from the PINKGOLD is the size of the printable area:
 PINKGOLD: 290 x 410 mm (A3)
 PG B4: 251 x 355 mm (B4)
- Also, the PG B4 was released in November 2002 to the China field only, the model names for which are as follows:
 Ricoh model: JP2800 (C247-76)
 Gestetner model: 5425C (C247-78)

Reissued: 10-Mar-03

Model: PRIPORT PINKGOLD/PGB4

Date: 30-Oct-02

No: R-C238-004a

OVERALL INFORMATION

DIFFERENT SECTIONS BETWEEN C247 AND C238

Section	Item	Remarks
1	Installation	There are no differences from the C238 model.
2	Preventive maintenance	There are no differences from the C238 model.
3	Replacement and adjustment	There are no differences from the C238 model.
4	Troubleshooting	Some items were changed. Refer to Page 2.
5	Service tables	Some items were changed. Refer to Page 7.
6	Detailed section descriptions	Some items were changed. Refer to Page 3.
7	Point to point diagram	Some items were changed. Refer to Page 5.
Spec	Specifications	Some items were changed. Refer to Page 6.
C600	Document feeder	There are no differences from the C238 model.

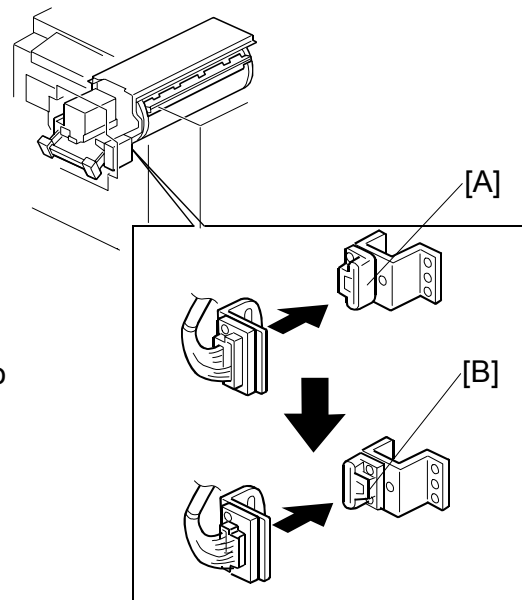
4. TROUBLESHOOTING

4.3.4. DIP SWITCHES (PAGE 4-7)

Ink detection board

No.	Normal drum (B4)	Color drum (B4)
SW1	OFF	OFF
SW2	OFF	ON
SW3	OFF	OFF
SW4	OFF	OFF

Only B4 drums can be installed on the PG B4. The direction of the connector has been changed from [A] to [B] as shown, so that the A3/A4 drums used on the PINKGOLD cannot be installed on the PG B4.



Reissued: 10-Mar-03

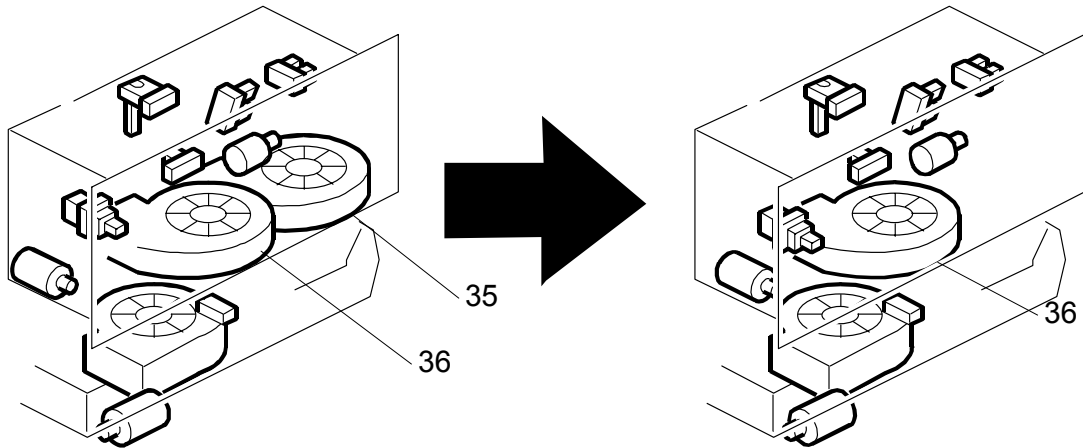
Model: PRIPORT PINKGOLD/PGB4

Date: 30-Oct-02

No: R-C238-004a

6. DETAILED SECTION DESCRIPTIONS

6.1.2 ELECTRICAL COMPONENT LAYOUT (PAGE 6-2)



C247D001.WMF

The number of air knife fan motors has been decreased from 2 to 1, due to the decrease in size of the printable image area.

6.4.8 THERMAL HEAD (PAGE 6-16)

B4 Specifications

Length: 260.2 mm

Number of thermal head elements: 3072 dots

Density of thermal head elements: 300 dpi

6.5.4 CUTTER MECHANISM (PAGE 6-21)

The cutter cuts a master of about 495 mm in length for the PG B4 model.

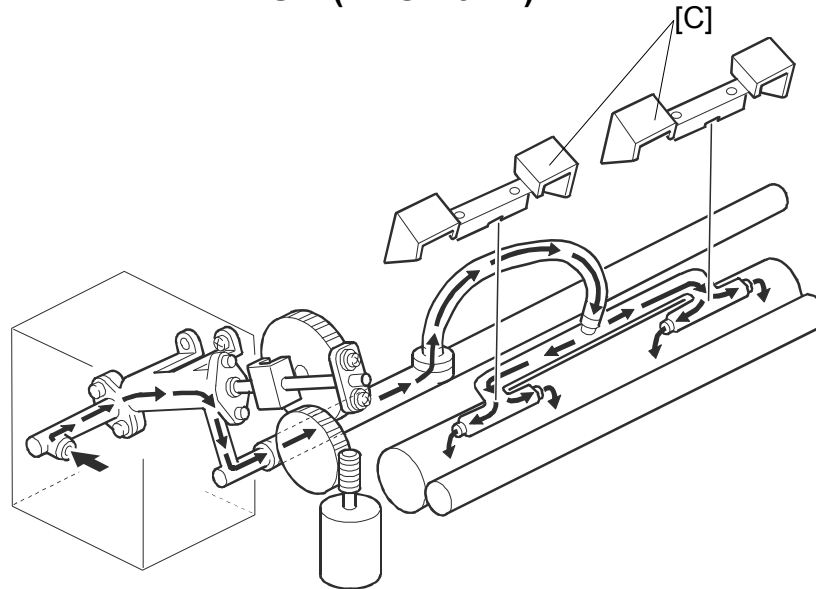


Reissued: 10-Mar-03

Model: PRIPORT PINKGOLD/PGB4

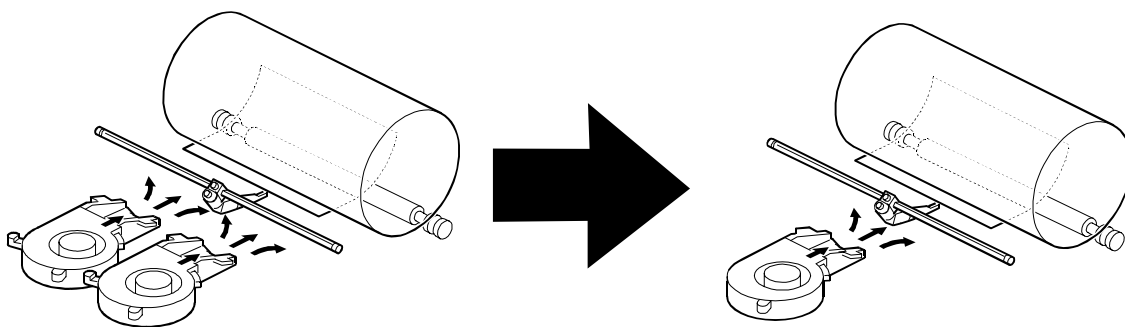
Date: 30-Oct-02

No: R-C238-004a

6.6.3 INK SUPPLY MECHANISM (PAGE 6-24)

C247D005.WMF

Two ink pipe covers [C] have been added to ensure that ink from the ink distributor does not stick to the ink sensor.

6.8.3 PAPER SEPARATION FROM THE DRUM (PAGE 6-36)**Air knife**

C247D002.WMF

The number of air knife fan motors has been decreased from 2 to 1, due to the decrease in size of the printable image area.

Reissued: 10-Mar-03

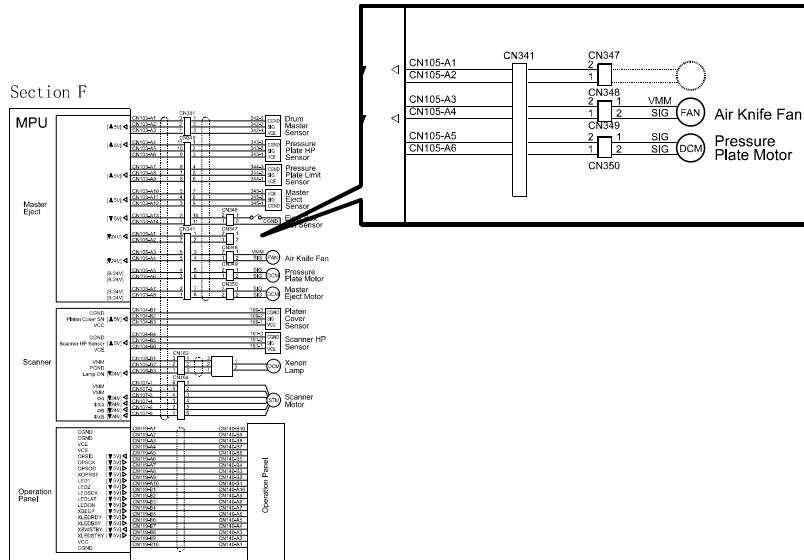
Model: PRIPORT PINKGOLD/PGB4

Date: 30-Oct-02

No: R-C238-004a

7. POINT TO POINT DIAGRAM

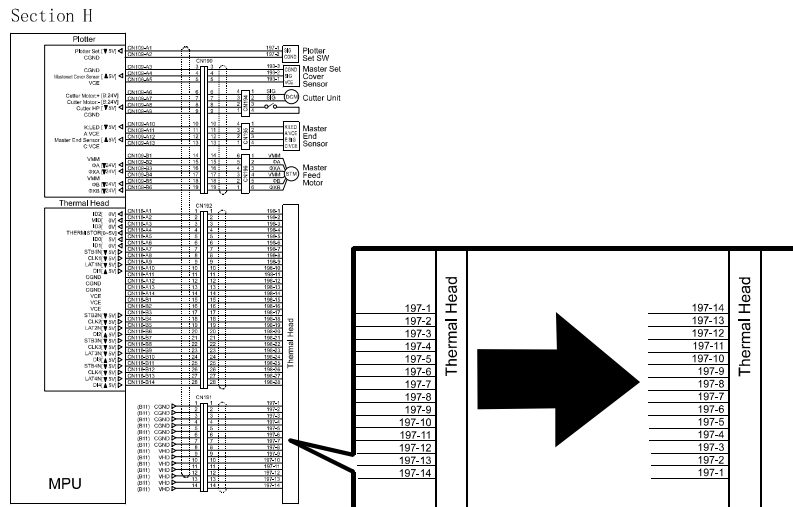
SECTION F (PAGE 7-8)



C247D003.WMF

The air knife fan motor previously connected to CN347 has been deleted (no. of motors reduced from 2 to 1).

SECTION H (PAGE 7-10)



C247D004.WMF

The pin layout of the thermal head connector has been changed to conform to the new thermal head.

Reissued: 10-Mar-03

Model: PRIPORT PINKGOLD/PGB4**Date:** 30-Oct-02**No:** R-C238-004a

PG B4 SPECIFICATIONS

1. GENERAL SPECIFICATIONS

The specifications are identical to those for the PINKGOLD (C238) except for the following:

Printing Area:	251 x 355 mm
Power Source:	China 220 – 240 V, 50/60 Hz 3.0 A
Master Process Time:	Not more than 25 seconds (A4 copying) Not more than 26 seconds (B4 copying) NOTE: Measurement Conditions 1) 100%size 2) Fine mode not used
Master Type:	Thermal master roll type: 280mm width, 125m/roll Yield: 230 masters/roll Maximum run length per master: 2,000 prints
Optional Equipment:	Platen cover Auto document feeder B4 color drum Tape marker (dispenser) Interface board

Reissued: 10-Mar-03

Model: PRIPORT PINKGOLD/PGB4

Date: 30-Oct-02

No: R-C238-004a

PINKGOLD and PG B4 require a different adjustment value for SP6-40 (Ink detection adjustment).

5. SERVICE TABLES

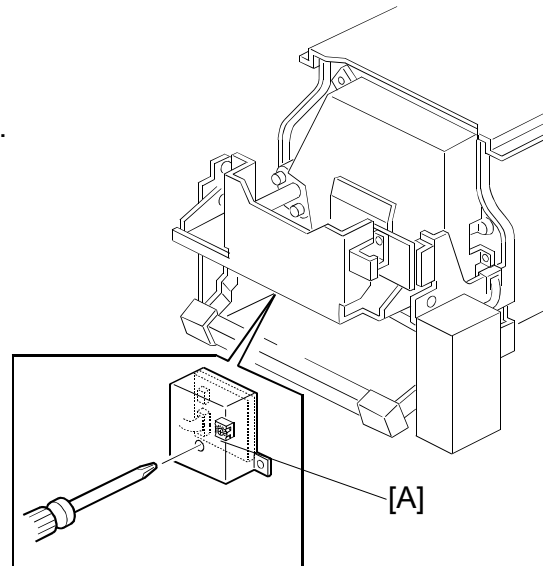
SP6-40: INK DETECTION ADJUSTMENT

Purpose: To ensure that the CPU detects a no ink condition.

CAUTION: Before attempting this procedure, wipe off the ink around the ink roller. To do this, set SP2-10 (ink detection) to OFF, and feed paper until ink ends. After finishing the procedure, do not forget to return SP2-10 to the default (ink detection on).

Access SP6-40, and open the door cover, then turn the VR1 [A] on the ink detection board until the display becomes "5.0 μ " (5 μ s).

NOTE: When the drum has ink inside, the machine displays "----".



C238S013.WMF